

SURYA

DATASHEET | SPECIFICATIONS



TECHNICAL SPECIFICATIONS	
ELECTRICAL PARAMETERS	
Light source	» LED
AC voltage	» AC 230 V / 50 Hz
Connection	» cabel 3 x 1,5 mm ² , 1,5 m (on request)
	» cabel 5 x 1,5 mm ² , 1,5 m (on request)
	» connector Gesis 3-pin (on request)
	» connector Gesis 5-pin (on request)
Driver	» electronic driver
Dimming	» non-dimmable (not labeled) » DALI (DALI) » corridor function (EPS-C)
Emergency module	» additional emergency module LED (on request)
LIGHT PARAMETERS	
Optical system	» narrow beam (C) » wide beam (D)
Light distribution	» direct
Color rendering index	» Ra > 80
Color temperature	» 4 000 K
Service life	» > 100 000 hours. (L80B50)
CONSTRUCTION	
Housing	» powder-coated steel sheet
Color	» RAL 9003 » other RAL (on request)
Surface	» gloss
Cover	» safety glass (X) » safety glass with foil (XB) » protective grid (G)
SAFETY	
Protection class	» I
Ambient operating temperature	» -5 / +40 °C
Electrical part protection	» IP 65
Optical part protection	» IP 65
Mounting on normally flammable materials	» YES
MOUNTING	
Type	» suspension » surface mounted
Recommended height	» from 4 m to 22 m
ACCESSORIES	
Clips	» NO
Mounting accessories	» hook suspension » bracket for surface mounting (on request)

CHARACTERISTIC

Industrial LED luminaire with optical system for high and low spaces Luminaire is equipped with tempered glass.

USE

- Industrial areas
- Warehouses
- Sport facilities
- Racking aisles



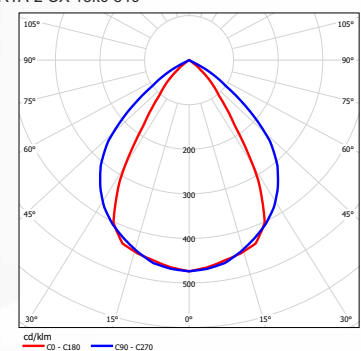
This luminaire contains built-in LED lamps.

The lamps cannot be changed in the luminaire.

ELEKTRO-LUMEN | SURYA 874/2012

LIGHT DISTRIBUTION CURVE

SURYA-2 CX 13k0 840



* Please order bracket for surface mounting

VARIANTS

DATASHEET SURYA

TYPE	POWER	COLOR TEMPERATURE	SERVICE LIFE	SERVICE LIFE	WEIGHT
Katalogové značení	Watt (W)	Lumen (lm)	Kelvin (K)	L80B50 (hod.)	Kilogram (kg)
surface mounted / suspension (Z)					
SURYA Z2 ... 8k8 840	50	8 800	4 000	> 100 000	14
SURYA Z2 ... 13k0 840	76	12 900	4 000	> 100 000	14
SURYA Z2 ... 14k7 840	92	15 000	4 000	> 100 000	14
SURYA Z2 ... 17k8 840	102	17 800	4 000	> 100 000	14
SURYA Z2 ... 20k6 840	121	20 600	4 000	> 100 000	14
SURYA Z4 ... 26k0 840	152	26 000	4 000	> 100 000	23
SURYA Z4 ... 29k4 840	184	30 000	4 000	> 100 000	23
SURYA Z4 ... 35k6 840	204	35 600	4 000	> 100 000	23
SURYA Z4 ... 41k2 840	242	41 200	4 000	> 100 000	23
Variants to use in higher temperatures T50, T60					
SURYA Z2 ... 8k8 840 T60	50	8 800	4 000	> 100 000	14
SURYA Z2 ... 10k8 840 T60	67	10 800	4 000	> 100 000	14
SURYA Z2 ... 14k1 840 T50	76	14 100	4 000	> 100 000	14
SURYA Z4 ... 21k2 840 T60	134	21 200	4 000	> 100 000	23
SURYA Z4 ... 28k2 840 T50	152	28 200	4 000	> 100 000	23

LEGEND

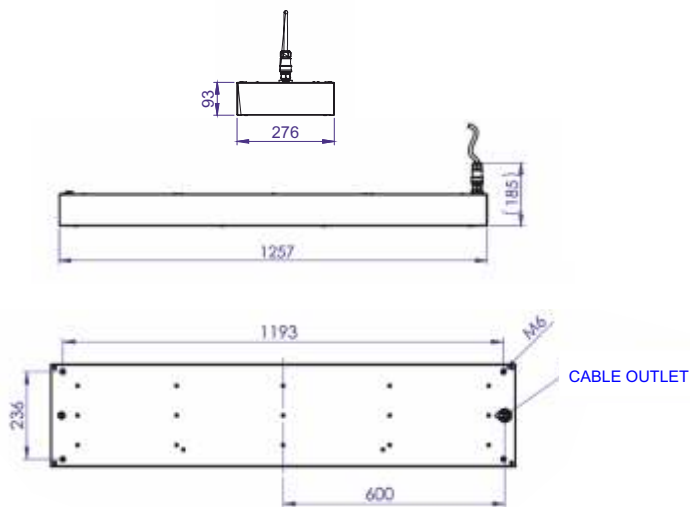
SURYA Z4 CX 21k2 840 DALI T60

	name
	suspension (Z), double row (2)
	narrow beam (C), safety glass (X)
	luminous flux 21 200 lm
	icolor rendering index Ra > 80, color temperature 4 000 K
	dimming DALI (DALI)
	possible to use for temperatures near 60 °C

Optical and electrical parameters tolerance +/- 10 %

DIMENSIONS

SURYA Z2



SURYA Z4

