

# APOLLON

## DATASHEET | SPECIFICATIONS



### TECHNICAL SPECIFICATIONS

#### ELECTRICAL PARAMETERS

Light source	» LED
Power voltage	» AC 230 V / 50 Hz
Connection method	» cable out (standard) » Gesis 3-pin » Gesis 5-pin
Ballast part	» electronic driver
Possibility of regulation	» non-dimmable (not labeled) » DALI (DALI)
Emergency module	» integrated emergency module (on request)

#### LIGHT PARAMETERS

Optical system	» wide beam (C) » narrow beam (D) » racking aisles (CC)
Light distribution	» direct
Color rendering index	» Ra > 80
Color temperature	» 4 000 K
Service life	» 78 000 hrs. (L90B50) » > 102 000 hrs. (L80B10)

#### CONSTRUCTION

Luminaire body	» powder-coated steel sheet
Surface type	» aluminium

#### SAFETY

Protection class	» I
Maximum ambient temperature	» -30 / +40 °C » variant for higher temperatures (T55) or (T60)
Electrical part protection	» IP 65
Optical part protection	» IP 65
Mounting on normally flammable materials	» NO

#### MOUNTING

Method	» suspension » surface mounted (it's necessary to order clamp for attachment)
Recommended height	» from 5 to 20 m

#### ACCESSORIES

Clips	» NO
Suspension accessories	» suspension hook » clamp for attachment and chain (on request)

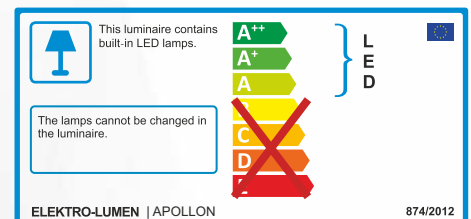
### CHARACTERISTIC

Highly effective LED luminaire with long service life for wide-spectrum usage.

### USE

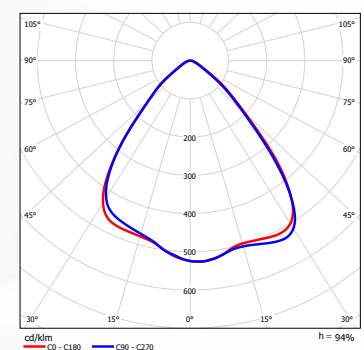
industrial areas

warehouses



### LIGHT DISTRIBUTION CURVE

APOLLON 2 D 20k0 840



# VARIANTS

## DATASHEET APOLLON

TYPE	POWER (W)	TYPICAL LUMINOUS FLUX	SERVICE LIFE		WEIGHT
			L90B50 (hod.)	L80B10 (hod.)	
Catalog name		Lumen (lm)			Kilogram (kg)*
APOLLON 2 ... 10k7 840	56	10 700	> 78 000	> 102 000	3,4
APOLLON 2 ... 13k2 840	70	13 200	> 78 000	> 102 000	3,4
APOLLON 2 ... 15k6 840	84	15 600	> 78 000	> 102 000	3,4
APOLLON 2 ... 17k5 840	94	17 500	> 78 000	> 102 000	3,4
APOLLON 2 ... 20k0 840	109	20 000	> 78 000	> 102 000	3,4
APOLLON 4 ... 21k4 840	109	21 400	> 78 000	> 102 000	5,4
APOLLON 4 ... 26k4 840	136	26 400	> 78 000	> 102 000	5,4
APOLLON 4 ... 31k2 840	161	31 200	> 78 000	> 102 000	5,4
APOLLON 4 ... 35k0 840	182	35 000	> 78 000	> 102 000	5,4
APOLLON 4 ... 40k0 840	210	40 000	> 78 000	> 102 000	5,4
APOLLON 2 ... 11k9 840 T60	63	11 900	> 78 000	> 102 000	3,4
APOLLON 2 ... 13k2 840 T55	70	13 200	> 78 000	> 102 000	3,4
APOLLON 4 ... 23k8 840 T60	123	23 800	> 78 000	> 102 000	5,4
APOLLON 4 ... 26k4 840 T55	136	26 400	> 78 000	> 102 000	5,4

\* Weight may vary depending on the luminaire variant

Optical and electrical parameters tolerance  $\pm 10\%$

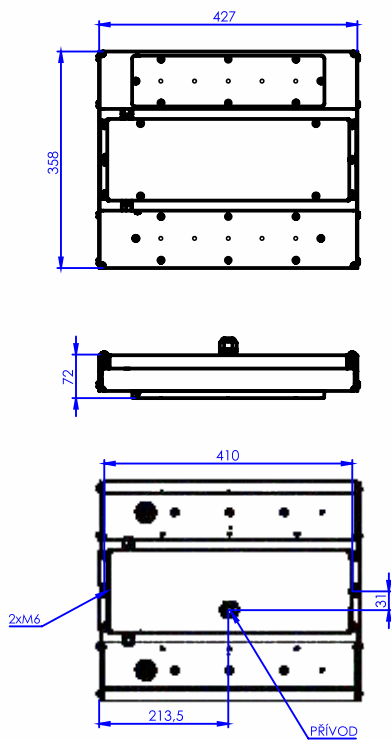
### LEGEND

APOLLON 2 C 20k0 840 DALI T5T

	name
	wide beam (C)
	luminous flux 20 000 lm
	color rendering index Ra > 80, color temperature 4 000 K
	Dimming DALI (DALI)
	Values for the luminaire's ambient temperature 55 °C

DIMENSIONS

APOLLON 2



APOLLON 4

