

# NITYA G2

## DATASHEET | SPECIFICATIONS



### FOTOGALERIE



### CHARACTERISTIC

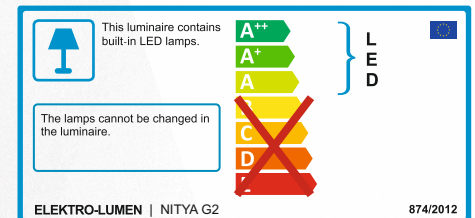
High-performance flood light designed for a wide range of applications.

### USE

- Sports facilities
- Open areas
- Parkings
- Public areas

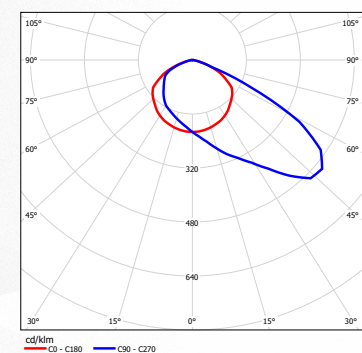


TECHNICAL SPECIFICATIONS	
ELECTRICAL PARAMETERS	
Light source	» LED
AC voltage	» AC 220–240 V / 50–60 Hz
Connection	» protection class I – terminal block, leading out cable (on request) » protection class II – leading out cable 30 cm
Driver	» electronic driver with surge protection L/N-Ground 6 kV
Surge protection	» additional surge protection 20 kA (1,5 kV)
Dimming	» non-dimmable (not labeled) » DALI (DALI)
Emergency module	» NO
LIGHT PARAMETERS	
Optical system	» lighting of open spaces (T5A), (P01), (P02), (C01)
Light distribution	» direct
Color rendering index	» Ra > 70
Color temperature	» 2 700 K » 3 000 K » 4 000 K
Service life	» > 100 000 hours (L90B10)
CONSTRUCTION	
Housing	» aluminum cast
Color	» RAL 9022
Surface	» mat
Cover	» safety glass
SAFETY	
Protection class	» II » I ( on request)
Ambient operating temperature	» max. -30 / +40 °C (+50°C)
Ingress protection	» IP 66
Impact protection	» IK 09
Mounting on normally flammable materials	» YES
MOUNTING	
Type	» by mounting on a caliper (part of the luminaire), tilt 0–90°
Recommended height	» from 6 to 15 m
ACCESSORIES	
Clips	» NO



### LIGHT DISTRIBUTION CURVE

NITYA G2 T5A



# VARIANTS

## DATASHEET NITYA G2

TYPE	POWER			LUMINOUS FLUX	SERVICE LIFE	WEIGHT
Name	Color temperature (K)					
chip (5050)	2 700	3 000	4 000	Lumen (lm)	L90B10 (hrs.)	Kilogram (kg)**
NITYA S G2 II... 10k7 7xx ***	65,8	61,1	57,8	10 700	> 100 000	4,4
NITYA S G2 II... 15k3 7xx	98,2	90,9	85,4	15 300	> 100 000	4,4
NITYA M G2 II... 15k2 7xx ***	91,8	84,5	81,2	15 200	> 100 000	8,0
NITYA M G2 II... 21k7 7xx	138,7	126	119,3	21 700	> 100 000	8,0
NITYA L G2 II... 24k6 7xx ***	144,2	132,2	128,2	24 600	> 100 000	12,5
NITYA L G2 II... 32k7 7xx	200	-	-	32 700	> 100 000	12,5
NITYA L G2 II... 35k0 7xx	-	198,2	188,2	35 000	> 100 000	12,5
NITYA XL G2 II... 40k6 7xx ***	241,2	223,8	212,4	40 600	> 100 000	21,0
NITYA XL G2 II... 58k0 7xx	364,4	335,6	315	58 000	> 100 000	21,0
Optical and electrical parameters tolerance $\pm 10\%$						
** Weight may vary depending on the luminaire variant						
*** Max. ambient temperature - 30 / + 50 °C						

### LEGEND

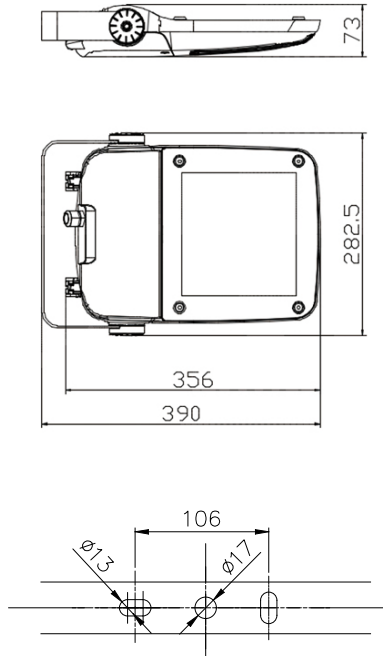
NITYA S G2 II T5A 15k2 740

name and size
generation
class II
optical system
luminous flux 15 200 lm
color rendering index Ra > 70, color temperature 4 000 K

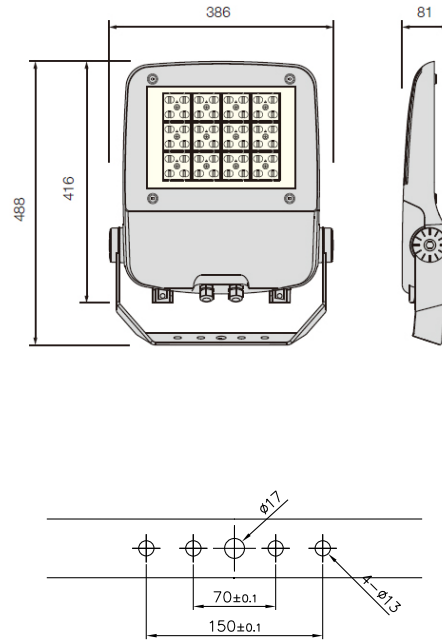
Optical and electrical parameters tolerance  $\pm 10\%$

**DIMENSIONS**

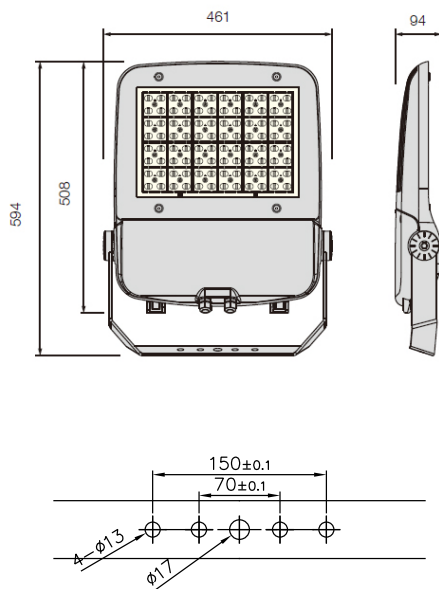
**NITYA S G2**



**NITYA M G2**



**NITYA L G2**



**NITYA XL G2**

